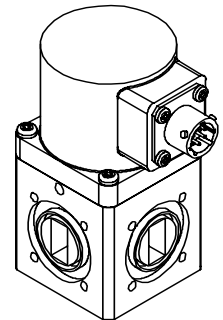
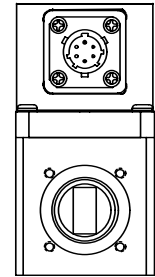
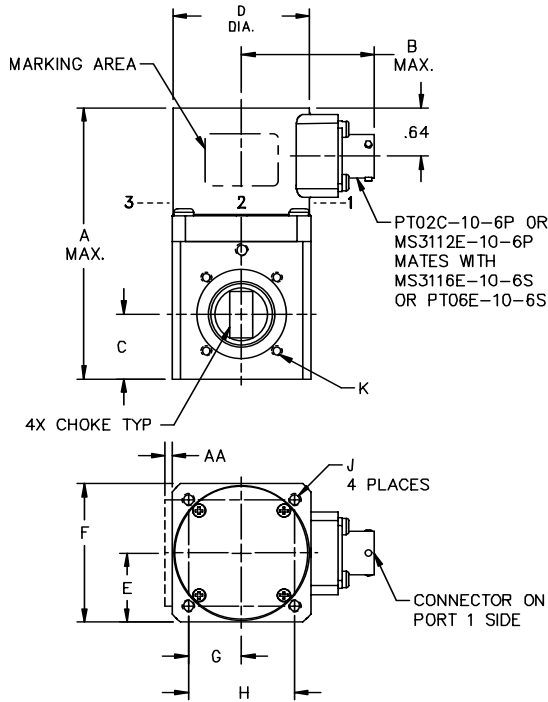


Waveguide Latching Transfer

Specifications

- Operating Voltage:**
(across temperature range)
28 Vdc (24-30 Vdc)
- RF Characteristics:**
Freq. Range: See Chart
VSWR: 1.0:1 Max
Isolation: 60dB Min.
Insertion Loss: See Chart
- Operating Temperature:**
-54°C to +84°C
- Mechanical Life, Cycles:**
200,000 minimum
- Duty:**
Continuous Operation
- Pressurized:**
20 psig

Mechanical



For Electrical Schematic see page # 5-5

Part Number Selection

Part No.	Waveguide Size	Sch. Dia.	Switch Type	Frequency Range, GHz	Switching Time, Max. (mS)	Current, AMP Max (28Vdc, 20 C)	Insertion Loss, Max. (dB)	AA Max.	A	B	C	D	E	F	G	H	J	K	Weight, Max. (lbs)
33D00100	WR 62	2	Failsafe	12.4 - 18.0	100	0.5	0.10	-	3.80	1.87	0.877	1.85	0.9375	1.875	0.718	1.437	#8-32 x .25 Deep	#6-32 x .22 Deep	1.3
33D00200	WR 62	1	Latching	12.4 - 18.0	100	1.0	0.10	-	4.00	1.87	0.877	1.85	0.9375	1.875	0.718	1.437	#8-32 x .25 Deep	#6-32 x .22 Deep	1.3
33D00300	WR 62	4	Failsafe	12.4 - 18.0	100	0.5	0.10	0.10	3.80	1.87	0.877	1.85	0.9375	1.875	0.718	1.437	#8-32 x .25 Deep	#6-32 x .22 Deep	1.3
33D00400	WR 62	3	Latching	12.4 - 18.0	100	1.0	0.10	0.10	4.00	1.87	0.877	1.85	0.9375	1.875	0.718	1.437	#8-32 x .25 Deep	#6-32 x .22 Deep	1.3
33D09100	WR 75	2	Failsafe	10.0 - 15.0	100	0.5	0.10	-	3.95	1.87	0.941	1.85	0.9375	1.875	0.718	1.437	#8-32 x .25 Deep	#6-32 x .22 Deep	1.4
33D09200	WR 75	1	Latching	10.0 - 15.0	100	1.0	0.10	-	4.15	1.87	0.941	1.85	0.9375	1.875	0.718	1.437	#8-32 x .25 Deep	#6-32 x .22 Deep	1.4
33D09300	WR 75	4	Failsafe	10.0 - 15.0	100	0.5	0.10	0.10	3.95	1.87	0.941	1.85	0.9375	1.875	0.718	1.437	#8-32 x .25 Deep	#6-32 x .22 Deep	1.4
33D09400	WR 45	3	Latching	10.0 - 15.0	100	1.0	0.10	0.10	4.15	1.87	0.941	1.85	0.9375	1.875	0.718	1.437	#8-32 x .25 Deep	#6-32 x .22 Deep	1.4
33D01100	WR 90	2	Failsafe	8.20 - 12.40	100	0.5	0.10	-	4.05	1.87	1.016	1.85	0.9375	1.875	0.718	1.437	#8-32 x .25 Deep	#8-32 x .22 Deep	1.4
33D01200	WR 90	1	Latching	8.20 - 12.40	100	1.0	0.10	-	4.30	1.87	1.016	1.85	0.9375	1.875	0.718	1.437	#8-32 x .25 Deep	#8-32 x .22 Deep	1.4
33D01300	WR 90	4	Failsafe	8.20 - 12.40	100	0.5	0.10	0.13	4.05	1.87	1.016	1.85	0.9375	1.875	0.718	1.437	#8-32 x .25 Deep	#8-32 x .22 Deep	1.4
33D01400	WR 90	3	Latching	8.20 - 12.40	100	1.0	0.10	0.13	4.30	1.87	1.016	1.85	0.9375	1.875	0.718	1.437	#8-32 x .25 Deep	#8-32 x .22 Deep	1.4
33D03200	WR 112	1	Latching	7.05 - 10.0	100	1.0	0.08	-	5.10	2.07	1.245	2.25	1.187	2.375	1.000	2.000	#10-32 x .31 Deep	#8-32 x .28 Deep	2.3
33D03400	WR 112	3	Latching	7.05 - 10.0	100	1.0	0.08	0.13	5.10	2.07	1.245	2.25	1.187	2.375	1.000	2.000	#10-32 x .31 Deep	#8-32 x .28 Deep	2.3
33D04200	WR 137	1	Latching	5.85 - 8.20	150	1.0	0.08	-	7.00	2.57	1.750	3.25	2.125	4.250	1.750	3.500	#14-20 x .40 Deep	#10-32 x .30 Deep	8.3
33D04400	WR 137	3	Latching	5.85 - 8.20	150	1.0	0.08	0.13	7.00	2.57	1.750	3.25	2.125	4.250	1.750	3.500	#14-20 x .40 Deep	#10-32 x .30 Deep	8.3
33D06200	WR 187	1	Latching	3.95 - 5.85	150	1.0	0.05	-	7.50	2.57	2.000	3.25	2.125	4.250	1.750	3.500	#14-20 x .40 Deep	#10-32 x .30 Deep	9.0
33D06400	WR 187	3	Latching	3.95 - 5.85	150	1.0	0.05	0.13	7.50	2.57	2.000	3.25	2.125	4.250	1.750	3.500	#14-20 x .40 Deep	#10-32 x .30 Deep	9.0
33D08200	WR 284	1	Latching	2.60 - 3.95	500	1.5	0.05	-	9.00	2.57	2.750	3.25	2.937	5.875	2.375	4.750	#14-20 x .50 Deep	#14-20 x .40 Deep	17.0
33D08400	WR284	3	Latching	2.60 - 3.95	500	1.5	0.05	0.15	9.00	2.57	2.750	3.25	2.937	5.875	2.375	4.750	#14-20 x .50 Deep	#14-20 x .40 Deep	17.0