



<b>C</b> Commercial	<b>M</b> Military	<b>A</b> Avionics	<b>S</b> Space
------------------------	----------------------	----------------------	-------------------



*RF Characteristics*

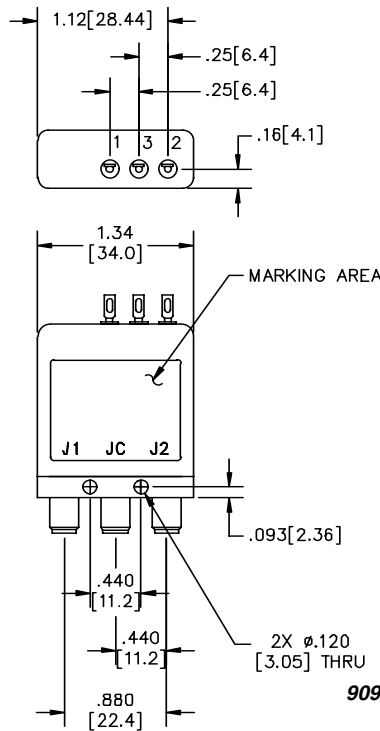
Frequency GHz	VSWR (max)	Isolation dB (min)	Ins. Loss dB (max)
0-1	1.15	80	0.15
1-4	1.25	80	0.20
4-8	1.35	70	0.35
8-12.4	1.45	60	0.45
12.4-18	1.45	60	0.45

909 Series SPDT Latching, SMA

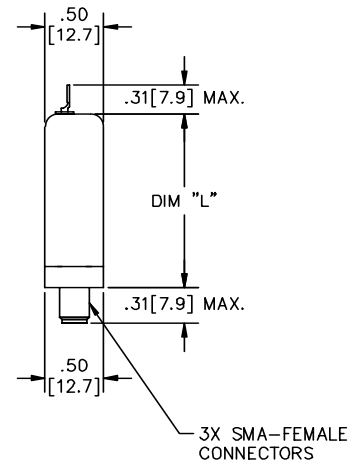
**Specifications**

- Operating Voltage:**  
(across temperature range)  
28 Vdc (20-30 Vdc)
- Coil Current (max @ nom. Vdc & 20°C):**  
28 Vdc 95 mA
- Switching Time:**  
20 mS maximum
- Operating Temperature:**  
-55°C to +85°C
- Mechanical Life, Cycles:**  
1,000,000 minimum
- Vibration, Operating:**  
20g's sine/random
- Mechanical Shock, Non-Operating:**  
50G, 1/2 Sine, 11mS
- Nominal Weight:**  
2.0 oz., (57g.)

*Mechanical*



DIM "L" (MAX)	MODEL	ELEC. SCHEM.
1.30[33.1]	909C70100	1
1.30[33.1]	909C71100	1
1.50[38.1]	909C70200	3
1.50[38.1]	909C71200	3



909C70100 Shown

For Electrical Schematic see page # 1-14

*Part Number Selection*

