

**RF Characteristics**

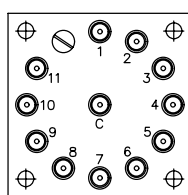
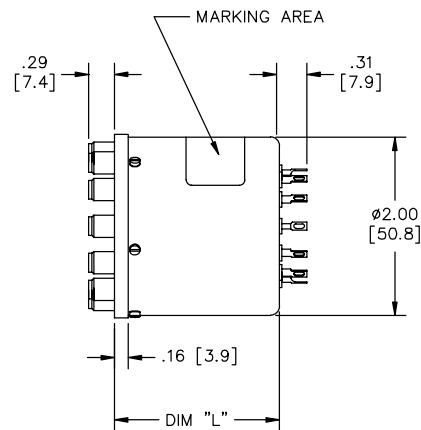
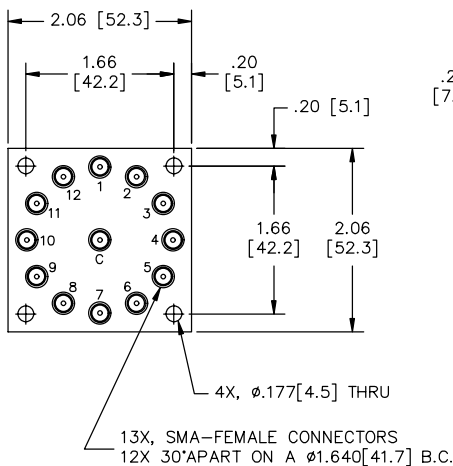
Frequency GHz	VSWR (max)	Isolation dB (min)	Ins. Loss dB (max)
DC-4	1.20	70	0.20
4-8	1.40	65	0.40
8-12.4	1.50	60	0.60
12.4-18	1.80	60	0.80

**5C1 Series Normally Open, SMA**

**Specifications**

- Operating Voltage:** (across temperature range)  
12 Vdc (11-14 Vdc)  
28 Vdc (24-32 Vdc)
- Coil Current (max @ nom.Vdc & 20°C):**  
12 Vdc 310 mA  
28 Vdc 130 mA
- Switching Time:**  
15 mS maximum
- Operating Temperature:**  
-25°C to +65°C (Standard)  
-55°C to +85°C (Extended "T" Option)
- Mechanical Life, Cycles:**  
1,000,000 minimum
- Vibration, Operating:**  
10 G RMS, 20-2000 Hz
- Mechanical Shock, Non-Operating:**  
50 G, 1/2 Sine, 11 mS
- Nominal Weight:**  
7.0 oz., (200g.)

**Mechanical**

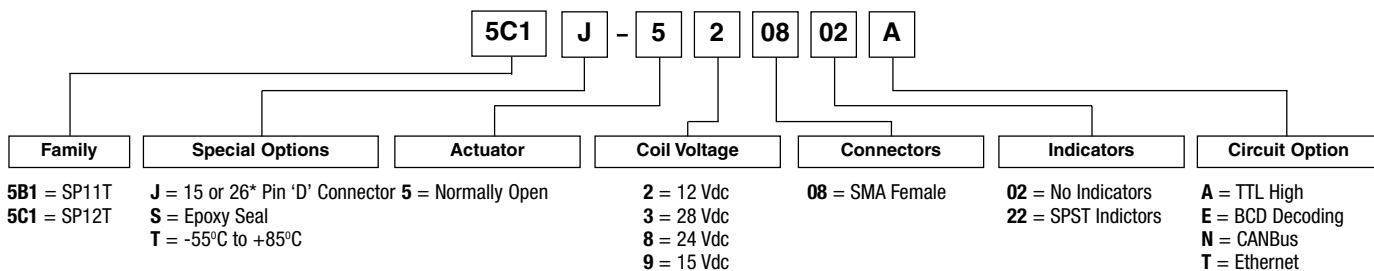


5C1-5X0822 Shown

DIM "L" (MAX)	MODEL	ELEC. SCHEM.
1.90[48.2]	5C1-5X08	1
2.50[63.5]	5C1-5X0802A	2

For Electrical Schematic see page # 3-21

**Part Number Selection**



\*26-Pin 'D' Connector is 3 row high density