

**RF Characteristics**

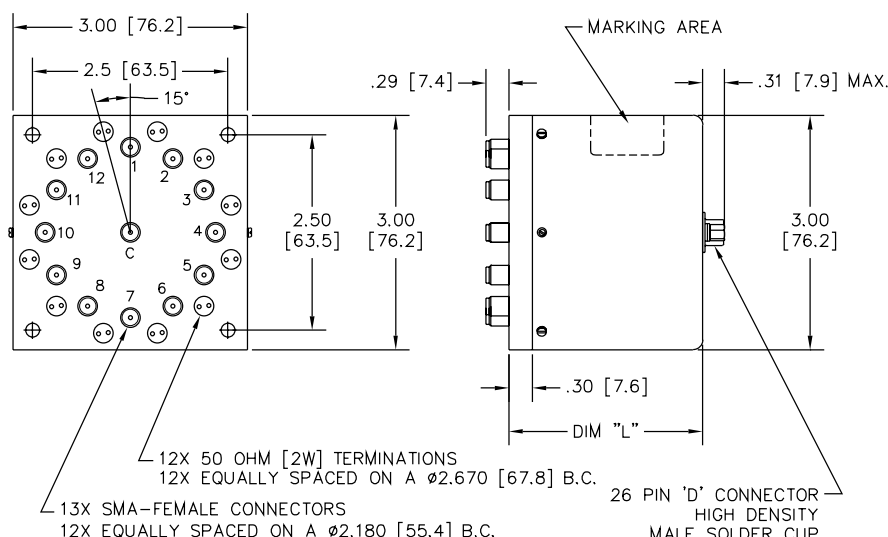
Frequency GHz	VSWR (max)	Isolation dB (min)	Ins. Loss dB (max)	RF Power Watts (CW)
DC-4	1.20	70	0.20	100
4-8	1.40	65	0.40	70
8-12.4	1.50	60	0.60	60
12.4-18	1.80	60	0.80	50

**5C1 Series Latching Self Cutoff, SMA with Optional SMA's**

**Specifications**

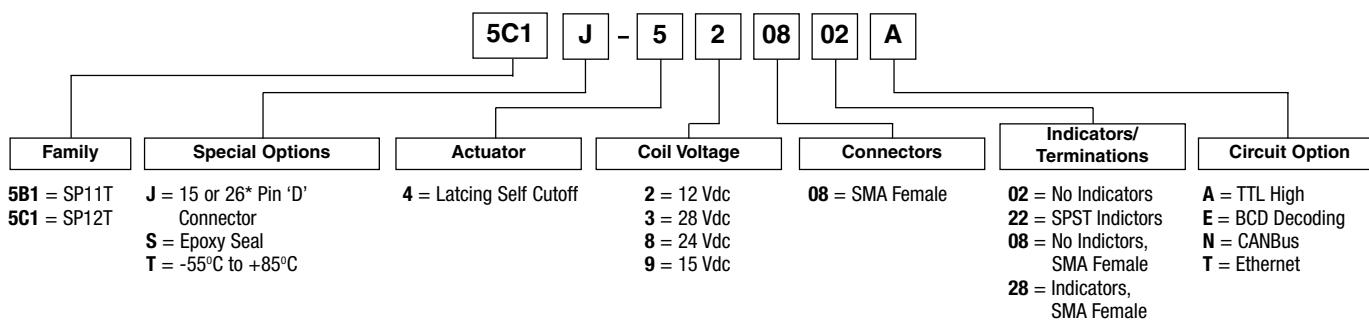
- Operating Voltage:** (across temperature range)  
12 Vdc (11-14 Vdc)  
28 Vdc (24-32 Vdc)
- Coil Current (max @ nom.Vdc & 20°C):**  
12 Vdc 310 mA  
28 Vdc 130 mA
- Switching Time:**  
15 mS maximum
- Operating Temperature:**  
-25°C to +65°C (Standard)  
-55°C to +85°C (Extended "T" Option)
- Mechanical Life, Cycles:**  
1,000,000 minimum
- Vibration, Operating:**  
10G RMS, 20-2000 Hz
- Mechanical Shock, Non-Operating:**  
50G, 1/2 Sine, 11 mS
- Nominal Weight:**  
7.0 oz., (200g.)

**Mechanical**



For Electrical Schematic see page # 3-21

**Part Number Selection**



\*26-Pin 'D' Connector is 3 row high density