

RF Characteristics

| Frequency MHz | VSWR (max) | Isolation dB (min) | Ins. Loss dB (max) |
|---------------|------------|--------------------|--------------------|
| DC-3 | 1.30 | 75 | 0.25 |

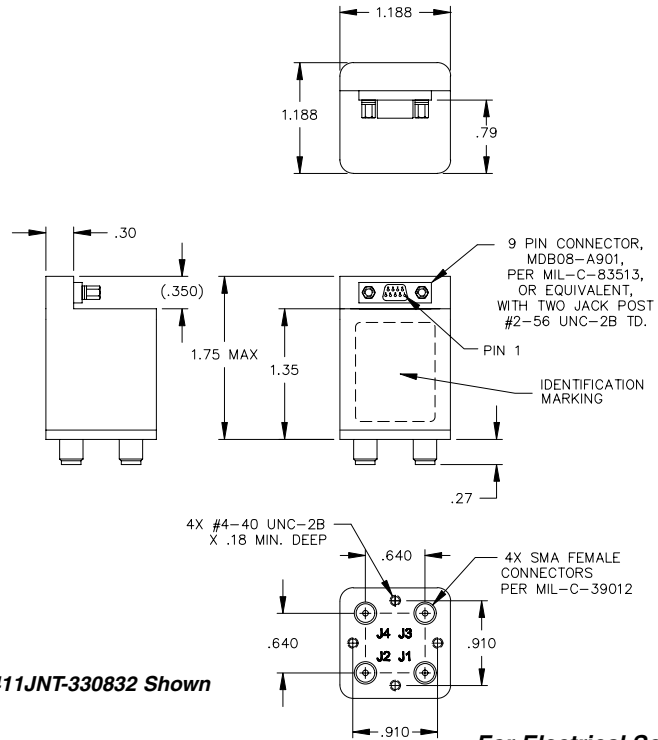


411JNT-330832 Pulse Latching Transfer, SMA

Specifications

- Operating Voltage:**
(across temperature range)
28 Vdc (24-32 Vdc)
- Coil Current (max @ nom.Vdc & 20°C):**
28 Vdc 200mA
- Switching Time:**
20 mS maximum
- Operating Temperature:**
-25°C to +65°C (Standard)
- Mechanical Life, Cycles:**
1,000,000 minimum
- Vibration, Operating:**
10 G RMS, 20-2000 Hz
- Mechanical Shock, Non-Operating:**
50 G, 1/2 Sine, 11mS
- Nominal Weight:**
4.0oz., (115g.)

Mechanical



411JNT-330832 Shown

For Electrical Schematic see page # 4-7

Part Number Selection

